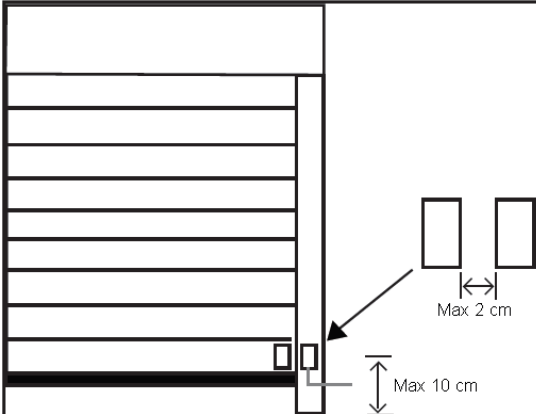


Magnet Instructions

**(WARNING learning is necessary only if using the magnetic contact, inputs 22-23)
This procedure can be done within 30 seconds after the reset.**

The magnetic contact is used to don't involve the safety edge in the last 10 cm before the complete closure of the door (for example in case of granular floor). To avoid the safety control at the end of the closure, magnetic contact have to be used. It works correctly only when the door was precedently completely opened.



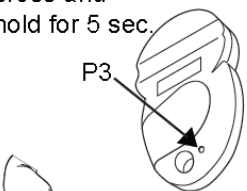
Max 2 cm

Max 10 cm

Mounting:
Place the wireless sensor at the base of the door.
Place the wired sensor not more than 10 cm from the floor, along the upright of the door.
The two contacts must be positioned next to each other (see picture).

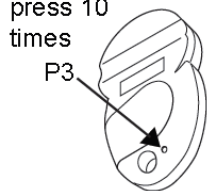
1- Press for 5 sec. the push button P3 of the transmitter; the buzzer will sound 1 beep, release and re-press within 5 sec. 10 times, the buzzer will sound 1 beep

press and hold for 5 sec.



PRP: Beep

press 10 times



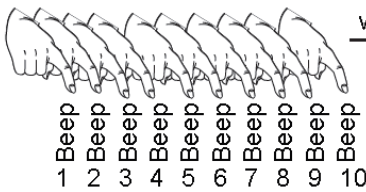
PRP: Beep

(if after 5 sec. the push button P3 will not be pressed the buzzer will sound 4 beeps and exit from the procedure).

5 sec.

PRP: Beeeeeep → **Beep**

wait 5 sec.

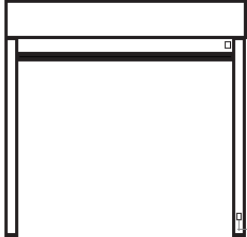


Beep 1

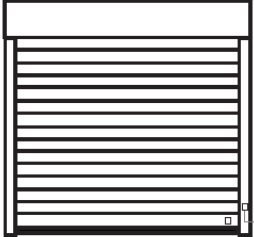
2- You have entered the memorization of the closing time. In the memorization function the movement is done manually, in order to move the door use the opening and closing push buttons.

3- Open totally the door, the buzzer will sound 1 beep.

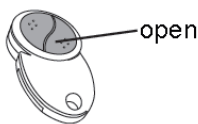
4- Close totally the door, the buzzer will sound 1 beep and the control unit goes back to the normal functioning mode.



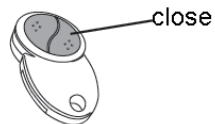
PRP: Beep



PRP: Beep

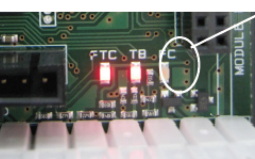


open



close

Functioning:
the magnetic contact is activated only when the door was previously wide open. To disable the magnetic contact remove one of the two sensors or both.



You can see the passage of the magnetic contact through the led FC